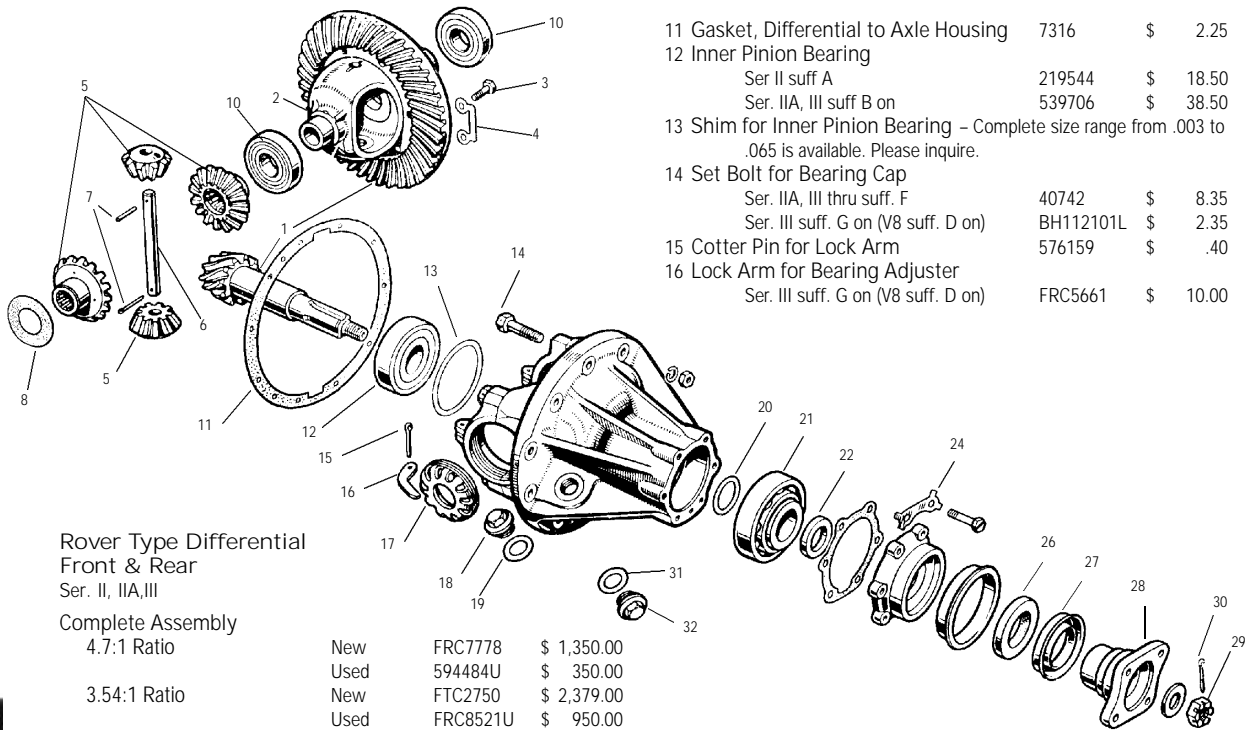


Drivetrain - Differential



Rover Type Differential Front & Rear Ser. II, IIA, III

Complete Assembly 4.7:1 Ratio

New	FRC7778	\$ 1,350.00
Used	594484U	\$ 350.00
New	FTC2750	\$ 2,379.00
Used	FRC8521U	\$ 950.00

3.54:1 Ratio

New	FTC2750	\$ 2,379.00
Used	FRC8521U	\$ 950.00

1. Crown Wheel and Pinion Gear Set

4.7 : 1 Gearset	RTC2990	\$ 685.00
3.54 : 1 Gearset	Flange STC3722	\$ 79.50
	Ring & Pinion: TBH100040	\$ 247.77
	FS112301P	\$ 2.14
	FTC5413	\$ 4.67
	STC3722	\$ 79.50
	requires new nut - see # 30	

2. Carrier Housing

Ser. I, II, IIA (used only)		\$ 40.00
Ser III thru axle suff. B	522567	\$ 257.00
Ser. III axle suff. C thru G	594487	\$ 150.00

3. Bolt 3/8x1" BSF

Crownwheel to Housing (8 used)	237339	\$ 4.25
Special Bolt with deep shoulder (2 used)	272934	\$ 2.50
Locker for Crownwheel Bolts (5 used)	272922	NLA

4. Locker for Crownwheel Bolts (5 used)

	272922	NLA
--	--------	-----

5. Matched Gear Set

Includes all four spider gears & set of thrusts	RTC4489	\$ 278.00
---	---------	-----------

6. Spider Spindle

Ser. II, IIA, III thru Suff. B	539703	\$ 29.50
Ser. III Suff. C on	599945	\$ 21.90
Roll Pin	RTC631	\$ 2.35
Cotter Pin	PS608101L	\$.40
Circlip	CCN110L	\$ 1.19

8. Thrust Washer for Spider Gear

0.045	533787	\$ 3.00
0.050	533788	\$ 3.00

10. Tapered Roller Bearing for carrier

Ser. II, IIA, III thru suff. F	41045	\$ 28.50
Ser. III suff. G on (V8 suff. D on)	RTC2726	\$ 38.50

11 Gasket, Differential to Axle Housing	7316	\$ 2.25
12 Inner Pinion Bearing		
Ser II suff A	219544	\$ 18.50
Ser. IIA, III suff B on	539706	\$ 38.50
13 Shim for Inner Pinion Bearing - Complete size range from .003 to .065 is available. Please inquire.		
14 Set Bolt for Bearing Cap		
Ser. IIA, III thru suff. F	40742	\$ 8.35
Ser. III suff. G on (V8 suff. D on)	BH112101L	\$ 2.35
15 Cotter Pin for Lock Arm	576159	\$.40
16 Lock Arm for Bearing Adjuster		
Ser. III suff. G on (V8 suff. D on)	FRC5661	\$ 10.00

17. Serrated Bearing Adjuster

Ser. II, IIA, III thru suff. F	40756	\$ 12.00
Ser. III suff. G on (V8 suff. D on)	FRC5204	\$ 11.40

18. Filler Plug

Square Head	3294	NLA
Steel Recessed Head	608246	\$ 6.50

19. Washer for Filler Plug, Ser. II, IIA

	FRC4835	\$ 1.20
--	---------	---------

20. Shim for Outer Bearing - Complete size range from .003 to .078

21. Outer Pinion Bearing

Ser. II, III suff. B on	539707	\$ 27.00
	539745	\$ 9.90

22. End Washer for Outer bearing

	41049	\$.30
--	-------	--------

24. Locker for Seal Retainer, Ser. II, IIA

	FRC4586	\$ 6.50
--	---------	---------

25. Oil Seal for Pinion

	236072	\$ 3.00
--	--------	---------

26. Mudshield for Drive Flange

	236632	\$ 115.00
--	--------	-----------

27. Drive Flange

	90513454	\$ 9.50
--	----------	---------

28. Washer

	3259	\$ 2.90
--	------	---------

29. Nut

For use with FTC 3620	NY116041L	\$ 2.25
-----------------------	-----------	---------

30. Cotter Pin

	PS608101L	\$.40
--	-----------	--------

31. Drain Washer for Axle Housing

	515599	\$.95
--	--------	--------

32. Drain Plug

	235592	\$ 6.80
--	--------	---------

Breather For Axle Housing

Ser. I, II, IIA, III thru 75	515845	\$ 8.25
------------------------------	--------	---------

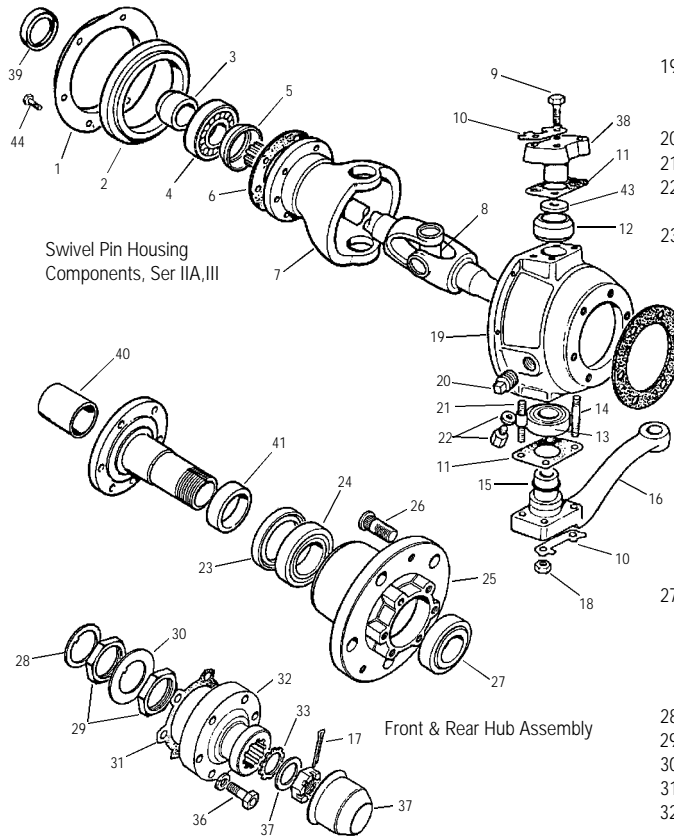
Remote Breather For Axle Housing

Ser. III, 90, 110 1976 on (will also fit earlier models)		
Front	595396	\$ 17.50
Rear	595473	\$ 12.00



Our Land Rover experts are ready to help you, just give us a call.

Drivetrain - Front Axle Series IIA, III



Swivel Pin Housing Components, Ser IIA, III

Front & Rear Hub Assembly

Swivel Pin Housing and Hub Assembly

88" & 109" up to July 1980			
1. Retainer for oil seal	235968	\$	4.75
2. SPH Oil Seal	RTC3528	\$	16.25
3. Retainer Collar for bearing	90217398	\$	26.00
4. Halfshaft Bearing	244150	\$	32.90
5. Bearing Distance Piece	244151	\$	3.00
6. SPHGasket	232413	\$.50
7. Swivel Ball	539741	\$	178.00
8. Halfshaft U-Joint	RTC3690	\$	33.50
9. SPH Top Bolt	237357	\$.75
10. Bolt Locker	531001	\$.75
11. Shim Pack	.003 530984	\$.55
	.005 530985	\$.55
	.010 530986	\$.65
	.030 530987	\$.55
12. Railco Bush	539742	\$	18.50
13. SPH Bottom Bearing	217268	\$	20.50
14. SPH Bottom Stud	531494	\$	1.55
15. O-Ring	531433	\$.60
16. SPH Steering Arm			
Right	530990	\$	149.00
Left	530991	\$	89.00
17. Cotter Pin	PS608101L	\$.40
18. Nut	594104	\$.50

19. Swivel Pin Housing (used available)			
Right	STC3409	\$	450.00
Left	FRC2075	\$	151.00
20. Oil Filler Plug	3292	\$	4.95
21. SPH Bottom Stud (wide center)	531043	\$	2.90
22. Drain Plug	236070	\$	1.25
Washer for drain plug	230511	\$.45
23. Hub Oil Seal			
All models up to Sept 1980	RTC3510	\$	7.90
From Oct 1980	RTC3511	\$	12.50
24. Inner Hub Bearing			
88" up to July 1980 & 109 up to 1972			
Inner Bearing	RTC3416	\$	27.50
88" from July 1980 except V8 & 109" Ser III			
Inner & Outer Bearing	RTC3429	\$	27.00
25. Hub with Wheel Studs			
Ser II, IIA (used only)	561889U	\$	49.50
Ser III (used available)	576844	\$	139.00
26. Wheel Studs			
Ser I, II, IIA threaded to hub	561590	\$	4.50
Ser IIA press fit	561886	\$	4.00
Ser III press fit	576825	\$	2.00
27. Outer Hub Bearing			
88" up to July 1980			
Outer bearing	RTC3426	\$	26.50
88" from July 1980			
Inner & Outer Bearing	RTC3429	\$	27.00
28. Flat Washer	217352	\$	2.25
29. Lock Nut	FRC8700	\$	7.50
30. Lock Washer	217353	\$	1.65
31. Drive Flange Gasket	231505	\$.65
32. Drive Flange			
Rover Type	571235	\$	35.25
Salisbury	571711	\$	29.90
33. Felt Washer	RTC3515	\$	1.90
34. Castle Nut	3259	\$	2.90
35. Hub Cap	219098	\$	4.00
36. Drive Flange Bolt	215331	\$	1.65
37. Flat Washer	571922	\$	1.75
38. Top Pin	576583	\$	23.75
39. Axle Case Oil Seal	217400	\$	4.50
40. Drive Shaft Bush Front only			
Early type Stub Axle	217354	\$	3.95
41. Hub Seal Race	All Models 599698	\$	9.50
42. SPH Housing Gasket	277289	\$.55
43. Wafer for Railco Brush	528702	\$	1.50
Locker for Brake Backing Plate	277311	\$	1.00
44. Bolt for Retainer	250693	\$.66

Top Pin Components

Ser II Land Rovers with steering arms mounted on top of swivel pin housing.			
Spring for Cone Bearing	242742	\$	6.50
Top Swivel Pin	239017		NLA
Cone Bearing Top for Swivel Pin	238553	\$	58.50
Cone Seat for Top Swivel Pin	230858	\$	49.00
Conversion Kit, Cone & Seat to Railco	532268	\$	225.00

Gaiter Kit

Leather gaiter set prevents swivel balls from corroding. Comes complete with hardware for easy installation.			
	276954	\$	69.00

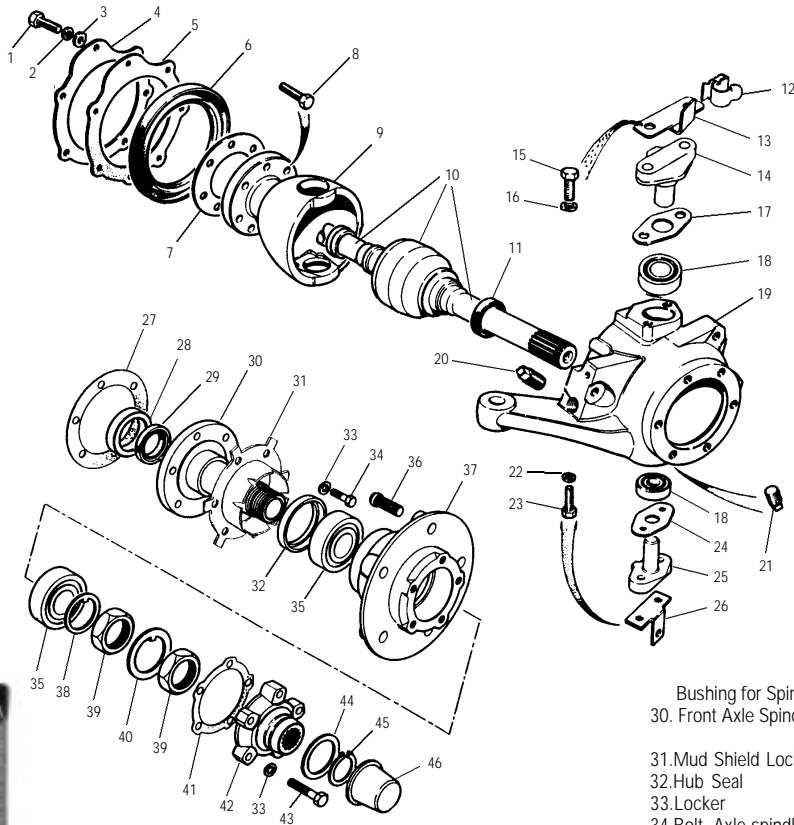


We have a complete Land Rover Genuine Parts inventory, with many parts unlisted. If you don't see what you need, just ask!

Hours: Mon-Fri: 7:30-5:30; Sat: 9-2:00; EST

Phone: (802) 879-0032

Drivetrain - Front Axle 90, 110, USA



Drivetrain

90, 110 Swivel Pin Housing and Front Hub Assembly

1. Bolt for Seal Retainer		SH106121L	\$.50
2. Lock Washer		WL106001L	\$.55
3. Flat Washer		WA106041L	\$.80
4. Retainer for Oil Seal	90	571755	\$ 6.00
	110	FRC4142	\$ 7.00
5. Gasket for Retainer, 110 only		FRC4206	\$ 2.75
6. SPHOil Seal		FTC3401	\$ 15.00
7. Gasket for Swivel Ball		FTC3646	\$ 1.85
8. Bolt for Fixing Swivel Ball		TYG100590	\$ 1.25
9. Swivel Ball	90	FRC7065	\$ 275.00
	110	FTC5105	\$ 285.00
10. Half Axle Assembly	90	Right	FTC3146 \$ 466.00
		Left	FTC3147 \$ 562.50
	110	Right	FTC1332 \$ 690.00
		Left	FTC1333 \$ 1195.00
11. Inner Axle Seal	90	FTC3276	\$ 5.00
	110	571718	\$ 7.50
12. Clip for Brake Hose	90 only	NTC6994	\$ 3.00
13. Bolt Locker Bracket for Clip	90 only	FRC8771	\$.75
14. Top Swivel Pin	90	FTC2882	\$ 71.00
	110	FRC3511	\$ 74.50
15. Bolt for Top Pin		BX110071M	\$ 1.60
16. Locker for Bolt		WL110001L	\$.45
17. Shim Pack	.075 mm	FRC2883	\$.95
	.130 mm	FRC2884	\$ 1.75
	.250 mm	FRC2885	\$.75
	.750 mm	FRC2886	\$.90
18. Top Bearing	90 only	606666	\$ 24.50

Top Railco Bush	110 only	FRC2916	\$ 36.50
Wafer for Railco Bush	110 only	FRC2906	\$ 3.50
19. Swivel Pin Housing	90	Right	FTC5298 \$ 259.00
		Left	FTC5297 \$ 259.00
	110	Right	FTC2530 \$ 354.50
		Left	FTC2531 \$ 354.50
20. Fill Plug		3292	\$ 4.95
21. Drain Plug	90	236070	\$ 1.25
	110	3290	\$ 3.25
Washer for Drain Plug	90 only	230511	\$.45
22. Locker	110 only	WL108001L	\$.35
23. Bolt for Bottom Pin	90	FTC3455	\$ 3.00
	110	FS108307L	\$.95
24. Joint Washer for Bottom Pin		FTC3647	\$ 1.25
		FRC2894	\$ 65.25
25. Bottom Swivel Pin		FRC3725	\$ 4.50
26. Bracket for Brake Shield		FTC3648	\$ 1.75
27. Gasket for Spindle			
28. Bearing for Spindle	90 only	FTC861	\$ 9.75
Oil Seal for Spindle	110 only	FRC3099	\$ 7.50
29. Oil Seal for Spindle	90 only	FTC840	\$ 11.50
	110 only	FRC4319	\$ 11.50
Bushing for Spindle	90	FTC3154	\$ 79.00
30. Front Axle Spindle	110	FRC4320	\$ 165.00
		FRC2310	\$ 8.50
31. Mud Shield Locker		FTC4785	\$ 4.95
32. Hub Seal		WL110001L	\$.45
33. Locker		SX110251M	\$ 1.95
34. Bolt, Axle spindle to Swivel Pin Housing		RTC3429	\$ 27.00
35. Wheel Bearing	90	FRC5926	\$ 3.50
36. Wheel Stud	110	FRC6137	\$ 4.25
	90	FTC942	\$ 114.00
	110	FRC6139	\$ 347.00
37. Hub Assembly	90	FTC5241	\$ 1.95
	110	217352	\$ 2.25
38. Washer	90	FRC8700	\$ 7.50
	110	FTC3179	\$ 1.00
39. Nut	90	217353	\$ 1.65
40. Folding Lock Washer	110	571752	\$.75
41. Hub Gasket	90	FRC3988	\$ 1.20
	110	FRC859	\$ 123.50
42. Drive Member	90	FRC5806	\$ 146.50
	110	FTC940	\$ 1.50
43. Bolt, Drive Member to Hub	90	RYG101010L	\$ 5.00
	110	FRC6782	\$ 1.90
44. Shims, use as required	0.45mm	FRC6783	\$ 4.25
	0.60mm	FRC6784	\$ 4.25
	0.75mm	FRC6785	\$ 4.25
	0.90mm	FRC6786	\$ 6.50
	1.05mm	FRC6787	\$ 3.25
	1.20mm	FRC6788	\$ 4.25
	1.35mm	FRC6789	\$ 3.25
	1.50mm	FRC6790	\$ 3.25
	1.65mm		
45. Circlip		549473	\$ 1.00
46. Hub Cap	90	FTC5414	\$ 3.50
	110	FRC4377	\$ 4.50

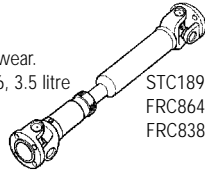
Our Land Rover experts are ready to help you, just give us a call.



Front Drive Shaft

Improved to prevent slip joint wear.

88 & 109 except 2.6, 3.5 litre	STC1898	\$ 299.00
90, 3.9 litre	FRC8641	\$ 654.00
110, 3.9 litre	FRC8386	\$ 490.00



Rear Drive Shaft

88	FRC4907	\$ 395.00
109, 2.25 litre up to 1972	STC573	\$ 395.00
109, 2.25 litre 1972 on	FTC3245	\$ 295.00
90, 3.9 litre	FRC8393	\$ 358.00
110, 3.9 litre	FRC8389	\$ 389.00
Bolt for Drive Shaft	509045P	\$ 1.50
Nut for Drive Shaft (nyloc)	NZ606041L	\$ 1.25

Boot for Drive Shaft

Standard on front shaft, optional on rear.
Includes clamps.

276484	\$ 13.90
--------	----------

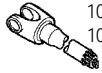
U-Joint for Drive Shafts

Ser. I, II, IIA, III		
2-15/16 from cap top to cap top	RTC3291	\$ 28.00
3-7/32 from cap top to cap top	RTC3346	\$ 14.50
90, 110 90 rear only	RTC3458	\$ 52.00
90 front	TVC10010	\$ 79.00



Front Stub Shaft between hub and U-Joint

88 Ser II, IIA, III thru June 1980	242520	\$ 98.00
July 1980	AEU1827	\$ 252.00
109 Ser II, IIA	242520	\$ 98.00
109 Ser III, except 1 ton, to Sept 1980	608023	\$ 195.00
109 Ser III, except 1 ton, Sept 1980 on	AEU1827	\$ 252.00



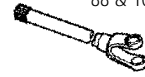
Drive Train



U-Joint for Front Half Axle		
Ser. II, IIA, III (except V8)	RTC3690	\$ 33.50

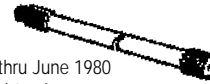
Front Inner Half Axle between U-joint and Differential

88 & 109, Ser. II, IIA, III, except 1 ton		
Right Side	276719	\$ 160.00
Left Side	276720	\$ 198.00



Rear Half Axle

88 & 109		
88 Ser II, IIA, III thru June 1980		
Right side (short)	591378	\$ 85.00
Left side (long)	591379	\$ 89.50
88 Air Portable		
Right side (short)	599530	\$ 224.50
Left side (long)	599531	\$ 224.50
88 Ser III from July 1980 on		
Right side (short)	FRC1644	\$ 119.00
Left side (long)	FRC1645	\$ 139.00
109 Ser II, IIA		
Right side (short)	591378	\$ 85.00
Left side (long)	591379	\$ 89.50
109 Ser III Salisbury		
Right side (short)	576767	\$ 105.00
Left side (long)	576768	\$ 112.00



Land Rover traffic in downtown Westford, Vermont

Drivetrain



We have a complete Land Rover Genuine Parts inventory, with many parts unlisted. If you don't see what you need, just ask!

Hours: Mon-Fri: 7:30-5:30; Sat: 9-2:00; EST

Phone: (802) 879-0032