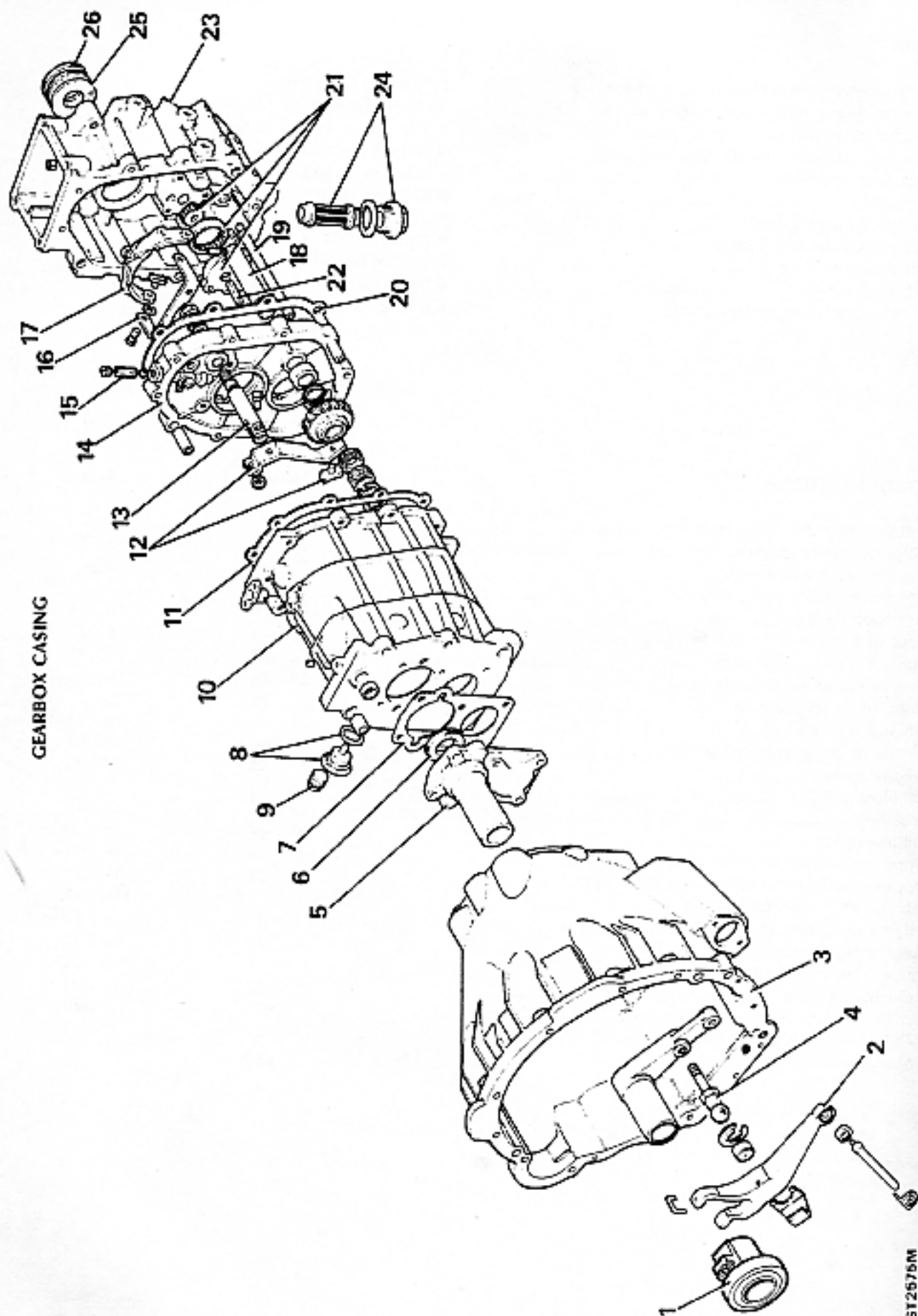


GEARBOX CASING

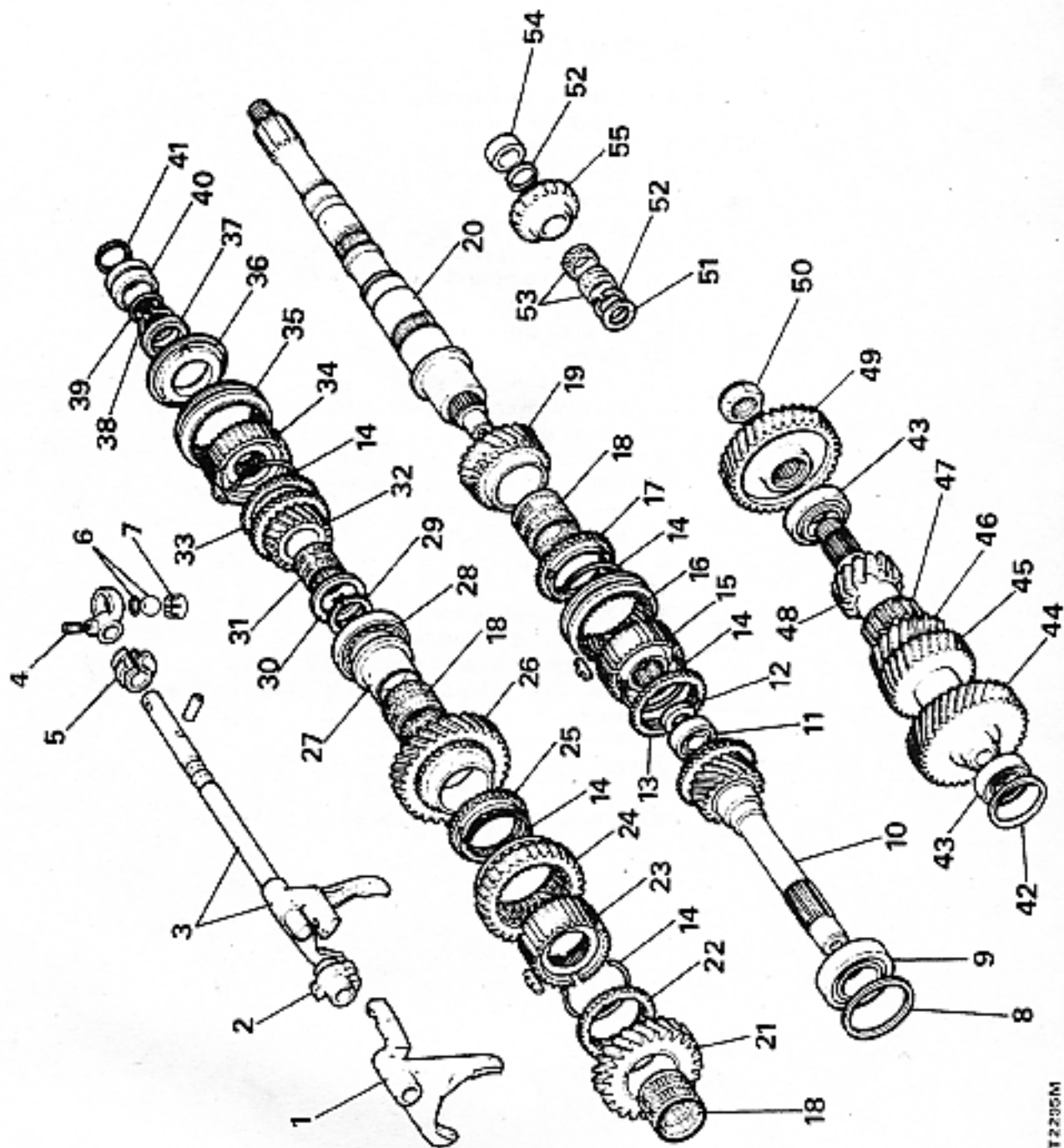


GEARBOX CASINGS

1. Clutch release bearing
2. Clutch release lever
3. Bell housing
4. Clutch release lever pivot post
5. Front cover
6. Front cover oil seal
7. Front cover gasket
8. Oil drain plug and washer
9. Oil level plug
10. Gearbox main casing
11. Gasket
12. Reverse lever and slipper
13. Reverse lever pivot post
14. Centre plate
15. Selector plug and detent ball
16. Fifth gear selector bracket
17. Fifth gear selector fork
18. Reverse gear shaft
19. Oil pick up pipe
20. Gasket
21. Oil pump gears and cover
22. Oil pump drive shaft
23. Fifth gear extension housing
24. Fifth gear extension housing drain plug and filter
25. Ferrobestos bush
26. Oil seal

NOTE: Items 1, 2, 3 and 4 above are V8 engine only.

GEARS AND SHAFTS

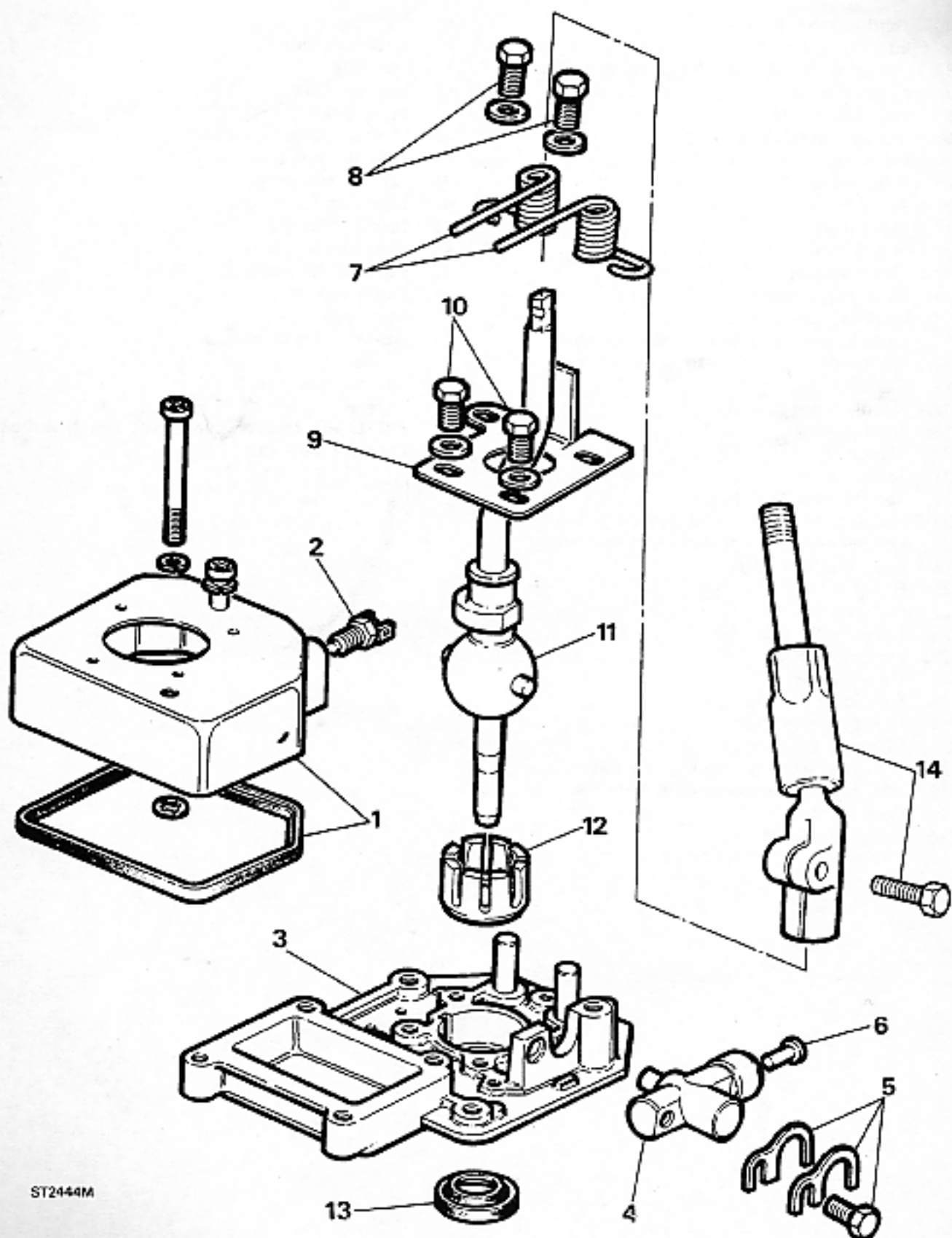


GEARS AND SHAFTS

1. Third-fourth selector fork
2. Interlock spool
3. First-second fork and selector rail assembly
4. selector yoke
5. Fifth gear spool
6. Ball and retaining ring
7. Nylon seating
8. Selective shim
9. Taper bearing
10. Input shaft
11. Spigot bearing
12. Thrust washer
13. Baulk ring fourth gear
14. retaining spring clips
15. Third-fourth synchromesh inner member
16. Third-fourth synchromesh outer member
17. Baulk ring third gear
18. Needle roller bearing
19. Third gear
20. Mainshaft
21. Second gear
22. Second gear baulk ring
23. First-second synchromesh inner member
24. First-second synchromesh outer member
25. Baulk ring first gear
26. First gear
27. First gear bush
28. Taper centre bearing
29. Retaining circlip
30. Thrust washer
31. Split roller bearing
32. Fifth gear mainshaft
33. Fifth gear baulk ring
34. Fifth gear synchromesh Inner member
35. Fifth gear synchromesh outer member
36. Retainer plate
37. Selective washer
38. Circlip
39. "O" ring
40. Retaining collar
41. Snap ring
42. Selective shim
43. Taper bearings
44. Layshaft cluster input gear
45. Layshaft third gear
46. Layshaft second gear
47. Layshaft reverse gear
48. Layshaft first gear
49. Layshaft fifth gear
50. Layshaft fifth gear stake nut
51. Thrust washer
52. Snap rings
53. Needle roller bearings
54. Spacer
55. Reverse idler gear

NOTE: for reverse gear shaft see "gearbox casings" item 18.

GEAR CHANGE HOUSING ASSEMBLY



KEY TO GEAR CHANGE HOUSING ASSEMBLY

1. Gear change housing cover and gasket
2. Reverse lamp switch
3. Gear change housing
4. Reverse gear plunger
5. Reverse gear plunger shims and bolt
6. Reverse lamp plunger
7. Bias springs
8. Bias spring retaining bolts
9. Bias adjustment plate
10. Bias adjustment plate bolts
11. Lower gear lever
12. Railko bush
13. Lower gear lever housing oil seal
14. Upper gear lever pinch bolt